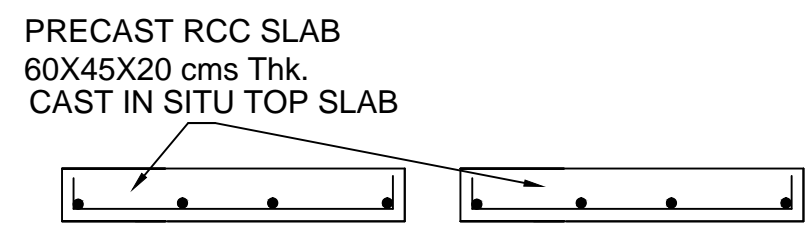
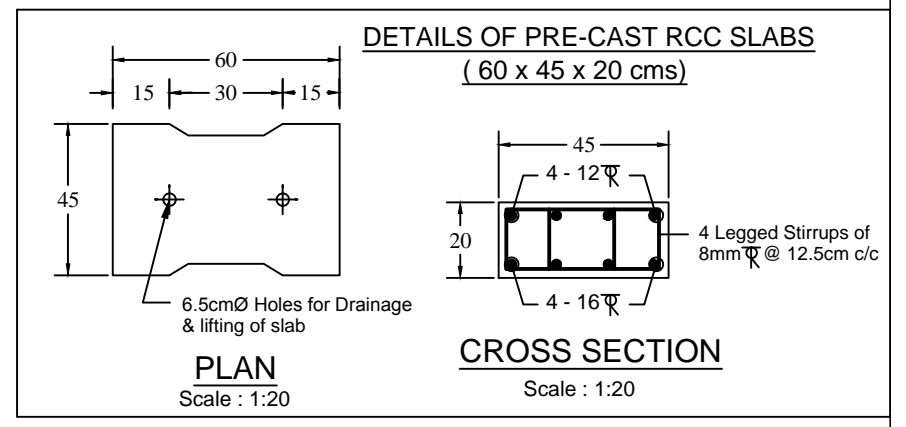

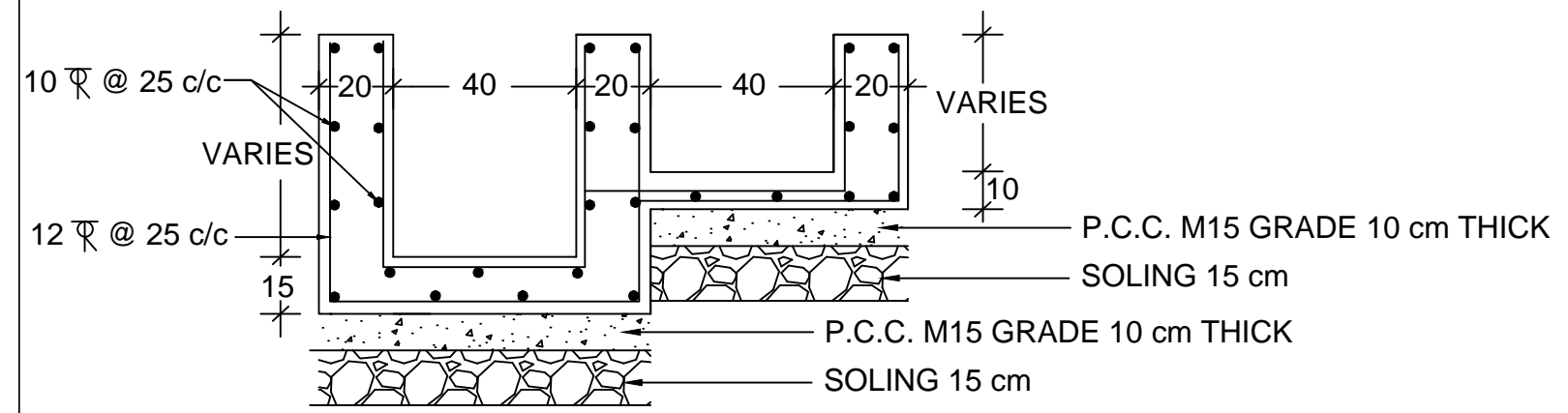


**CROSS SECTION**  
Scale : 1:25



**NOTE:**  
ALL WRITTEN DIMENSIONS ARE IN CMS UNLESS OTHERWISE SPECIFIED .

SCALE: AS SHOWN		 <b>MORMUGAO PORT TRUST</b>	
REVISION	DATE	DRN:-	
		CHD:-	
		AEN (D#D):	
		XEN(D):-	



**DETAILS OF R.C.C. DRAIN CUM CABLE TRENCH**  
Scale : 1:20

PROPOSED PAVING ALONG RAILWAY LINE NO. 8A	DATE: - 15/07/2020
	DWG. NO.